

GW304-KLF Large Flange Knurled Threaded Insert

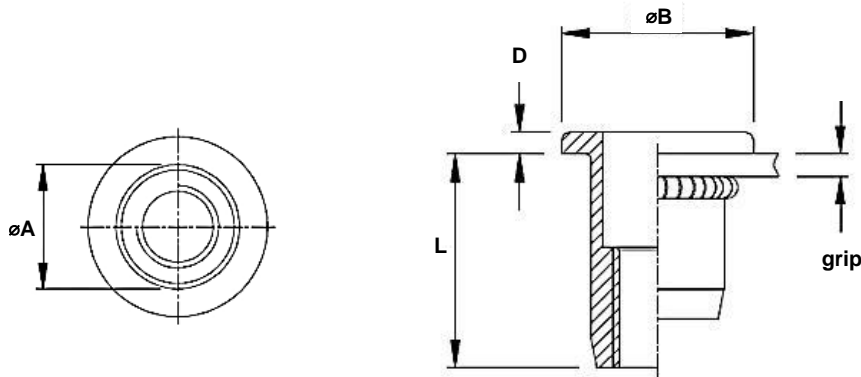
Stainless steel 304 · Large flange · Knurled · Open end
M4 - M10

Features

- Designed to provide load bearing threads in thin sheet materials
- Knurled body improves torque-to-turn resistance
- Large flange head provides a load bearing surface and reinforces the hole to prevent push-out
- Closed end version available on request

Material

- Stainless steel 304



Part No.	Thread Size	Grip Range		Hole Size	$\varnothing A$	$\varnothing B$	D	L
		min.	max.	+0.1	-0.02/-0.15	± 0.35	± 0.15	± 0.35
GW304-KLFM4-0520	M4	0.5	2.0	6.0	6.0	9.0	1.0	11.0
GW304-KLFM4-2035		2.0	3.5					13.5
GW304-KLFM5-0530	M5	0.5	3.0	7.0	7.0	10.0	1.0	11.5
GW304-KLFM5-3050		3.0	5.0					15.0
GW304-KLFM6-0530	M6	0.5	3.0	9.0	9.0	12.0	1.5	14.5
GW304-KLFM6-3050		3.0	5.0					16.5
GW304-KLFM6-5070		5.0	7.0					20.0
GW304-KLFM8-0530	M8	0.5	3.0	11.0	11.0	16.0	1.5	16.0
GW304-KLFM8-3055		3.0	5.5					18.5
GW304-KLFM10-0835	M10	0.8	3.5	13.0	13.0	17.0	1.5	21.5
GW304-KLFM10-3560		3.5	6.0					25.5

Thread Size	Max. torque	Pull-out	Torque-to-turn	Shear strength
	Nm max.	Kn	Nm	kN
M4	~7.1	> ~11.0	~2.6	~3.5
M5	> ~16.0	> ~14.5	~3.0	~4.8
M6	> ~22.0	> ~27.0	~6.8	~7.3
M8	> ~70.0	> ~40.0	~9.0	~9.0
M10	> ~70.0	> ~43.0	~13.0	~8.4